

# iColor Cove QLX

CK INTELLIGENT SERIES

Preliminary



**iColor Cove<sup>®</sup> QLX is a compact linear fixture that generates saturated color and dynamic effects in alcoves, accent areas, and other interior spaces. The fixture is available with a wide (120° x 120°) or medium (100° x 40°) beam. An integrated rotating mount and optional mounting track provide precise positioning, and end-to-end connections ensure a simple installation.**

- Integral mounting bracket with 180° rotation
- 24 VDC input power
- End-to-end connectors
- Two standard lengths: 6 in (152 mm) and 12 in (305 mm)
- Optibin<sup>®</sup> technology ensures uniform light quality
- Chromasic<sup>®</sup> technology provides precise and cost-efficient digital control

**CHROMACORE<sup>®</sup>**  
CK TECHNOLOGY

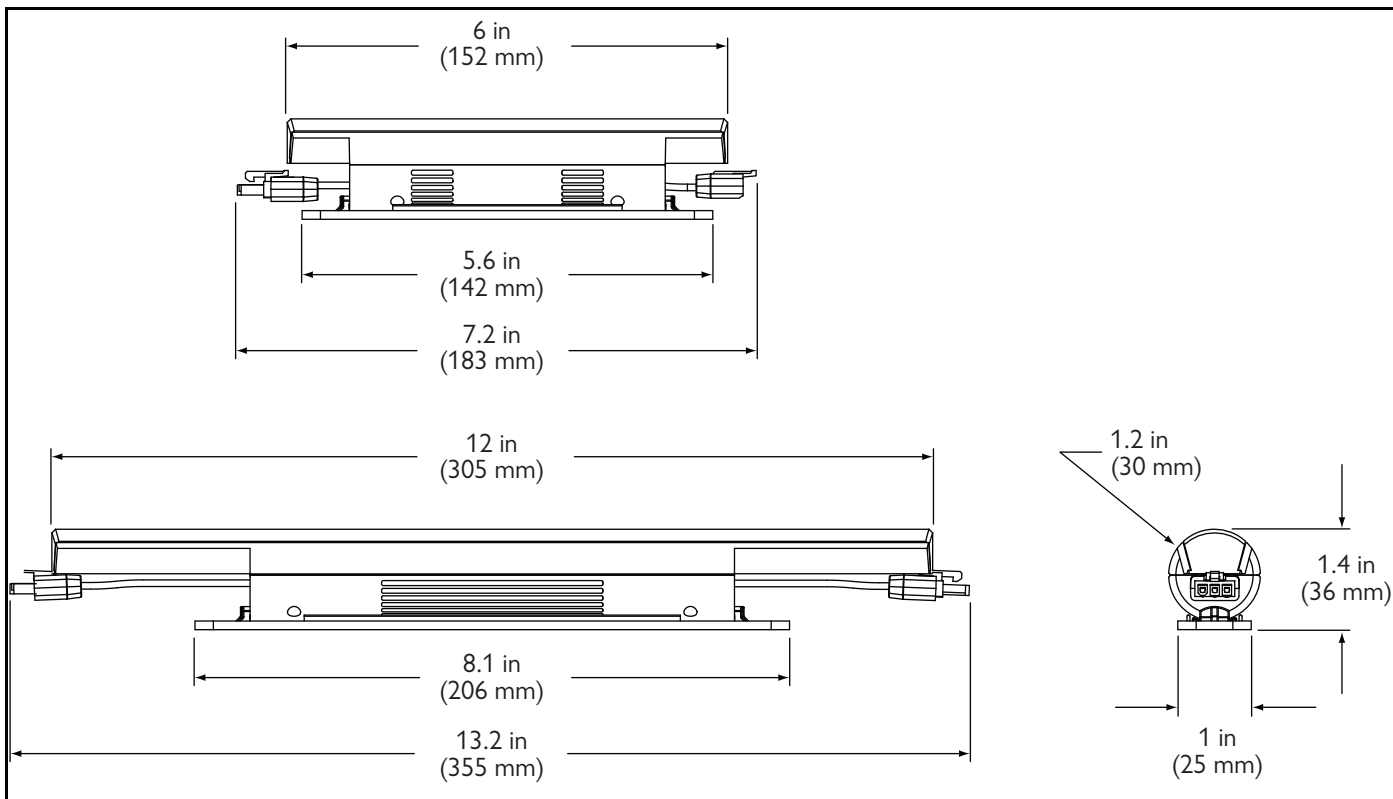
**CHROMASIC<sup>®</sup>**  
CK TECHNOLOGY

**OPTIBIN<sup>®</sup>**  
CK TECHNOLOGY



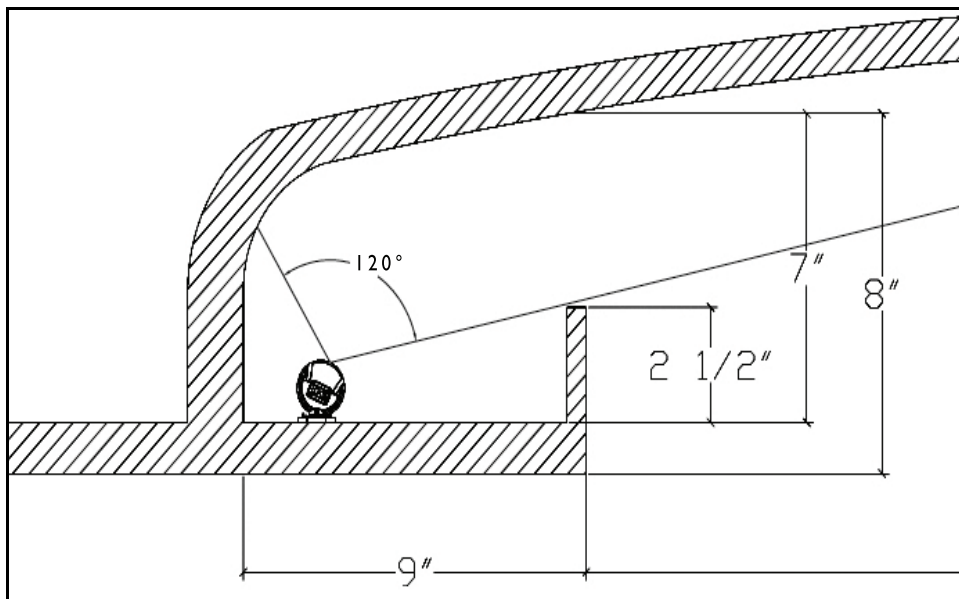
**PHILIPS**

## iColor Cove QLX Dimensions



### Typical Installation Cut-Away

iColor Cove QLX fixtures can be used effectively in numerous applications. A typical ceiling cove construction cut-away is shown below. (See "Installation Details" on page 9.)



## iColor Cove QLX Specifications

Specifications are subject to change without notice.

	6-Inch Fixture	12-Inch Fixture
<b>Length</b>	6 in (152 mm)	12 in (305 mm)
<b>Width</b>	1.25 in (32 mm) (tube diameter)	
<b>Height</b>	1.37 in (35 mm)	
<b>Weight</b>	3 oz. (85 g)	5 oz. (142 g)
<b>LEDs Per Fixture</b>	5 each: red, green, and blue	10 each: red, green, and blue
<b>Total Output (Lumens)</b>	26: Wide (120° x 120°) beam angle: 20.8: Medium (100° x 40°) beam angle	49.8: Wide (120° x 120°) beam angle 46.1: Medium (100° x 40°) beam angle
<b>Efficacy (Lm/W)<sup>a</sup></b>	13: Wide (120° x 120°) beam angle 10.4: Medium (100° x 40°) beam angle	16.6: Wide (120° x 120°) beam angle 15.4: Medium (100° x 40°) beam angle
<b>Source</b>	High-brightness LEDs.	
<b>Color Range</b>	16.7 million (8-bit) additive RGB colors; continuously variable intensity	
<b>Beam Angle</b>	120° x 120° or 100° x 40°	
<b>Mixing Distance</b>	2 in (51 mm) to uniform light	
<b>Housing</b>	Charcoal gray, UL-recognized, injection-molded plastic	
<b>Lens</b>	Clear polycarbonate. V-0 flame rating. FI UV rating.	
<b>Medium-Beam Optics</b>	Polycarbonate.	
<b>Environment</b>	UL Dry; IP20	
<b>Fixture Connectors</b>	IEC 15 A (max) with C13 plug	
<b>Configuration</b>	See “Maximum Number of Fixtures and Cables” below.	
<b>Listings</b>	CE, PSE, RoHS, UL/CUL, WEEE, C-Tick	
<b>Control</b>	Chromatic input data	
<b>Operating Voltage</b>	24 VDC from a Philips or Color Kinetics DMX In / Chromasic Out power supply	
<b>Power Consumption</b>	2 W maximum at full output steady state.	3 W maximum at full output steady state.
<b>Temperature Range</b>	-4°F – 122°F (-20°C – 50°C) operating temperature	
<b>Humidity Range</b>	0 – 95% non-condensing	
<b>LED Source Life</b>	50,000 hours, based on LED manufacturers’ test data	

a. Measurements made at full RGB.

### Maximum Number of Fixtures and Cables

If no jumper cables are used, you may interconnect as many as either 30 6 in (152 mm) fixtures (on a single 60W power supply) or 20 12 in (305 mm) fixtures (on a single 60W power supply).

If you plan to use jumper cables:

- The maximum number of 1 ft (305 mm) jumper cables is nine; the maximum number of 5 ft (1524 mm) jumper cables is five.
- If you plan to combine jumper cables of different lengths, please contact support@colorkinetics.com for help with planning your configuration.

## Ordering Information

### iColor Cove QLX Item Numbers

Fixture Length	Beam Angle	Item Number	Part Number
<b>12 in (305 mm)</b>	Wide 120° x 120°	101-000066-00	910503700217
	Medium 100° x 40°	101-000066-01	910503700219
<b>6 in (152 mm)</b>	Wide 120° x 120°	101-000066-02	910503700218
	Medium 100° x 40°	101-000066-03	910503700220

### Accessories for iColor Cove QLX Fixtures

iColor Cove QLX fixtures are part of a low-voltage system made up of the fixtures and:

- One or more compatible power supplies from the list below.
- One leader cable used to connect each power supply output port to a series of fixtures.
- A Philips, Color Kinetics, or other DMX512-based controller that works with iColor Cove QLX fixtures. The number of fixtures that can be addressed varies with each controller and jumper cable length. For information on Philips or Color Kinetics controllers, see <http://www.colorkinetics.com/support/systemguide/SysMatrix.pdf>.

Compatible Philips and Color Kinetics Power Supplies	Item Number	Part Number
sPDS-60ca 24V — provides 60W output that can be split between two ports.	109-000021-02 (DMX / Ethernet)	910503700106
PDS-60ca — provides 60W output that can be split between two ports.	109-000016-00 (preprogrammed) or 109-000016-01 (DMX)	910503700095
sPDS-480ca 24V — provides eight 60W output ports	109-000026-00	910503700110
Leader Cable	Item Number	Part Number
30 ft (9144 mm) leader cable	108-000015-00	910503700072

Depending on the installation's design, you may need optional jumper cables to add space between fixtures. Optional mounting tracks ensure straight runs of fixtures.

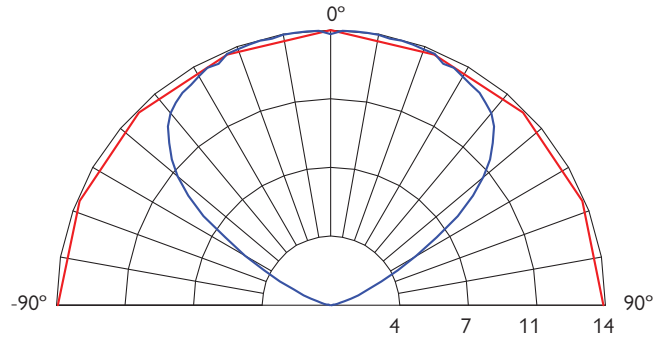
Jumper Cables	Item Number	Part Number
1 ft (305 mm) jumper cable	108-000020-00	910503700079
5 ft (1524 mm) jumper cable	108-000020-01	910503700080
Mounting Track	Item Number	Part Number
Box of 25 mounting tracks — 4 ft (1219 mm) in length — for straight runs	523-000006-00	910403326201

## 6 Inch iColor Cove QLX — Medium Beam Photometrics

Photometric data in each illustration is based on independent testing lab results. IES data is available at <http://www.colorkinetics.com/support/ies>.

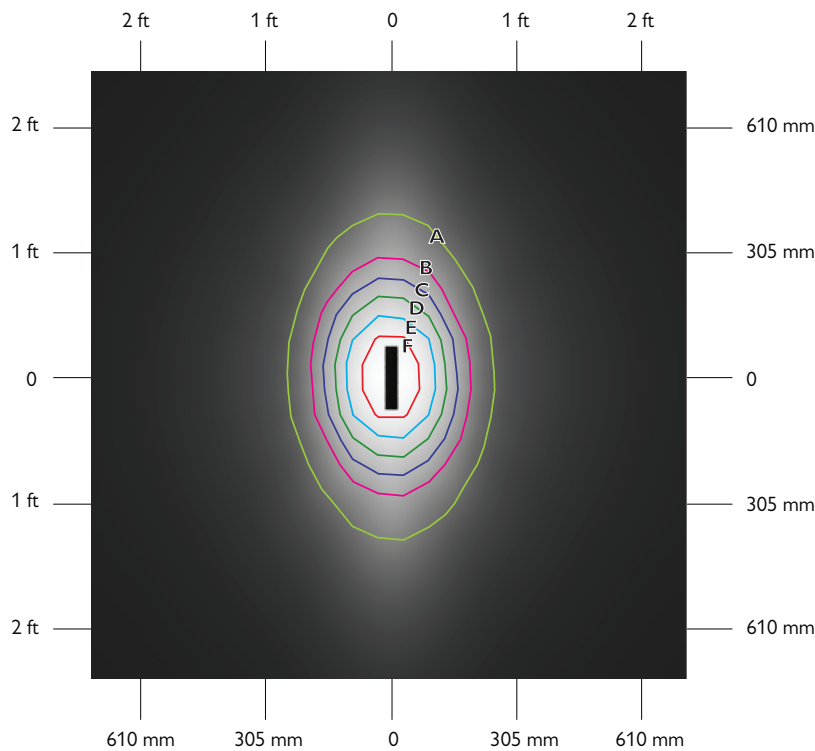
### Candle Power Distribution

Data to come later: The dashed line indicates that x candela is x% of peak.



### Illuminance Distribution

This illustration shows the plane x ft (x mm) from the fixture. Data is in footcandles and (lux).



- |                   |                 |                 |
|-------------------|-----------------|-----------------|
| A 1.5 fc (16 lux) | B 3 fc (32 lux) | C 4 fc (43 lux) |
| D 5 fc (54 lux)   | E 6 fc (65 lux) | F 7 fc (75 lux) |

### Illuminance Beam Angle

This illustration shows measurement of the center beam and the fixture's angle. Data is in footcandles and (lux).

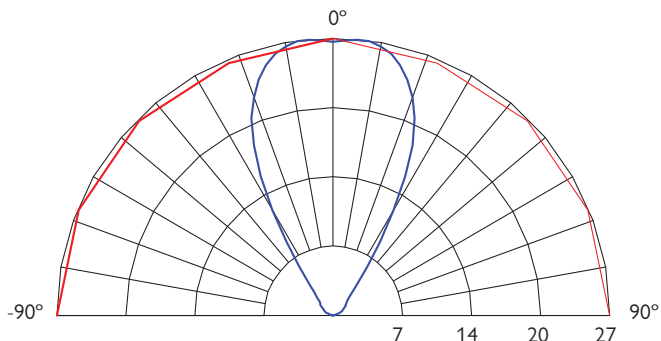
*Illustration to come later*

## 12 Inch iColor Cove QLX — Medium Beam Photometrics

This photometric data is based on test results from an independent testing lab. IES files are available at <http://www.colorkinetics.com/support/ies>.

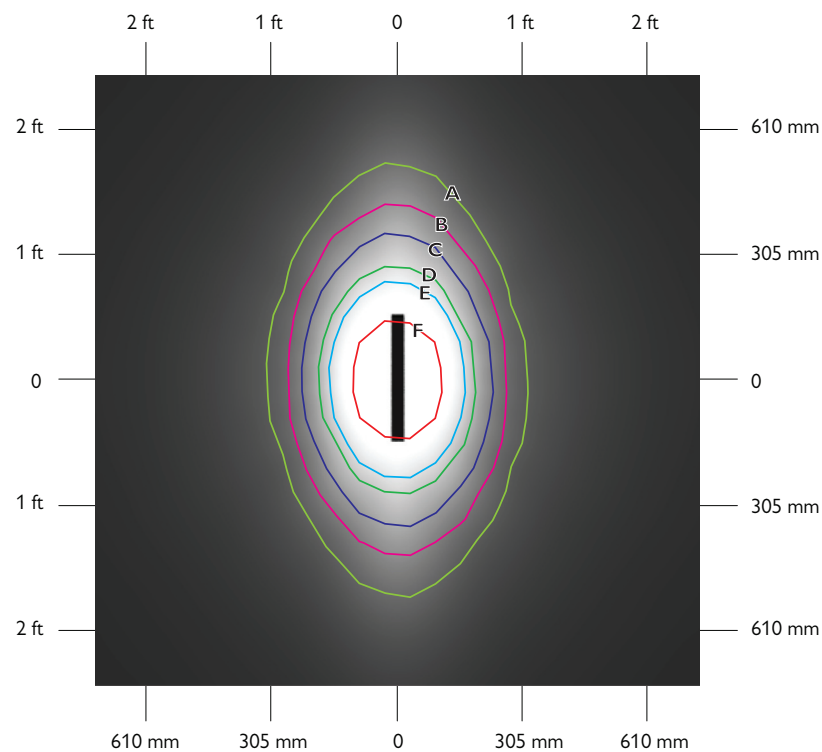
### Candle Power Distribution

Data to come later: The dashed line indicates that x candela is x% of peak.



### Illuminance Distribution

This illustration shows the plane x ft (x mm) from the fixture. Data is in footcandles and (lux).



- A 1.5 fc (16 lux)    B 3 fc (32 lux)    C 5 fc (54 lux)
- D 8 fc (86 lux)    E 10 fc (108 lux)    F 15 fc (161 lux)

### Illuminance Beam Angle

This illustration shows measurement of the center beam and the fixture's angle. Data is in footcandles and (lux).

*Illustration to come later*

## 6 Inch iColor Cove QLX — Wide Beam Photometrics

---

This photometric data is based on test results from an independent testing lab. IES files are available at <http://www.colorkinetics.com/support/ies>.

### Candle Power Distribution

*Data to come later:* The dashed line indicates that x candela is x% of peak.

*Illustration to come later*

### Illuminance Distribution

This illustration shows the plane x ft (x mm) from the fixture. Data is in footcandles and (lux).

*Illustration to come later*

### Illuminance Beam Angle

This illustration shows measurement of the center beam and the fixture's angle. Data is in footcandles and (lux).

*Illustration to come later*

## 12 Inch iColor Cove QLX — Wide Beam Photometrics

This photometric data is based on test results from an independent testing lab. IES files are available at <http://www.colorkinetics.com/support/ies>.

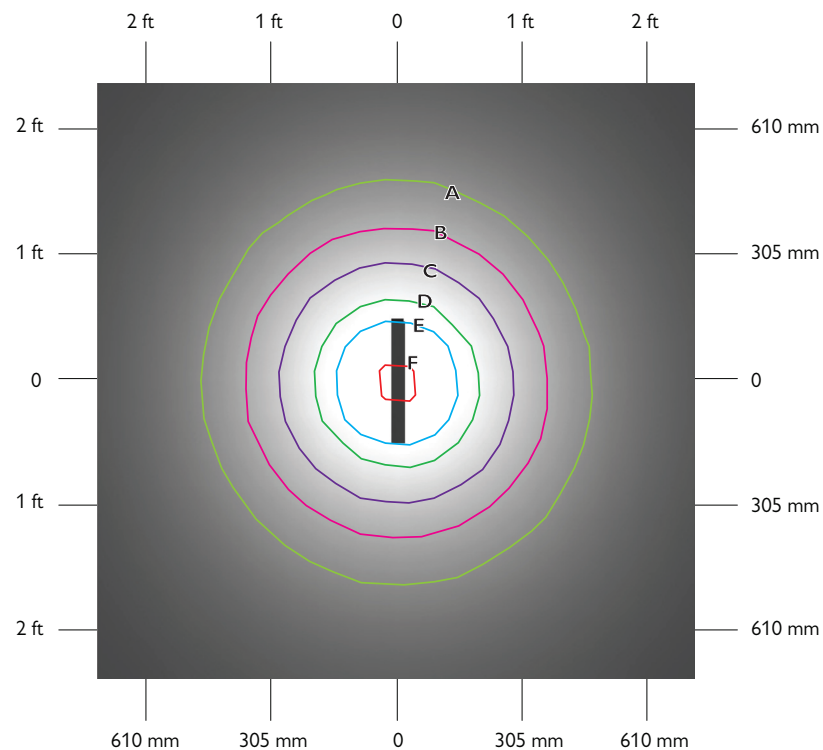
### Candle Power Distribution

Data to come later: The dashed line indicates that x candela is x% of peak.

*Illustration to come later*

### Illuminance Distribution

This illustration shows the plane x ft (x mm) from the fixture. Data is in footcandles and (lux).



- |                   |                   |                   |
|-------------------|-------------------|-------------------|
| A 1.5 fc (16 lux) | B 3 fc (32 lux)   | C 5 fc (54 lux)   |
| D 8 fc (86 lux)   | E 10 fc (108 lux) | F 13 fc (140 lux) |

### Illuminance Beam Angle

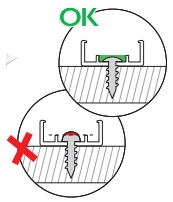
This illustration shows measurement of the center beam and the fixture's angle. Data is in footcandles and (lux).

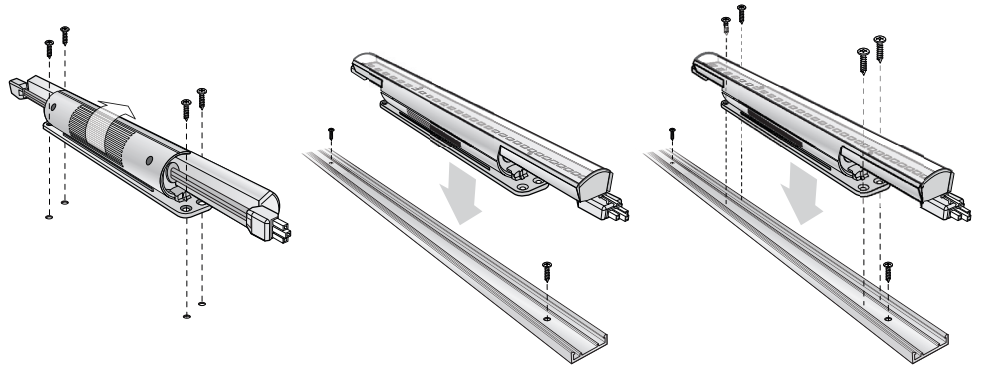
*Illustration to come later*

## Installation Details

You may use mounting track to align straight runs of iColor Cove QLX fixtures. Cut the 4 ft (1219 mm) sections of track to size.

To mount the fixtures and optional track:

1. Mount the fixtures using one of three options:
  - For mounting on horizontal surfaces, insert four screws through the fixture directly into the substrate, rotating the fixture as needed. 
  - For mounting on horizontal surfaces, use two screws to secure the track into the substrate and then snap the fixture into place.
  - For mounting on vertical surfaces, snap the fixture into place and then insert four screws through the fixture, through the track, and into the substrate.

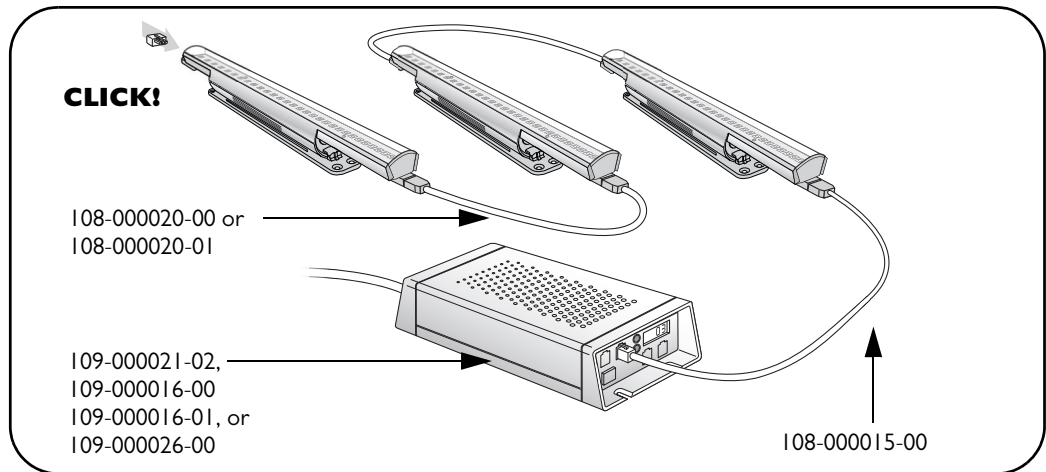


2. Adjust the fixture's position.

### Leader Cable and Series Terminators

A leader cable supplies power and data from the power supply to the first fixture in the series. Lights are interconnected with keyed male/female connectors. A power terminator is installed on the last fixture.

There is about 1 in (25 mm) of horizontal play in each pair of fixtures' connectors, so the fixtures must be spaced end-to-end with about 4.5 in (114 mm) between fixture brackets. Although horizontal spacing is fixed, there is enough cable to make a greater-than-180° turn between fixtures. Use the 1 ft (305 mm) or 5 ft (1524 mm) jumper cables to add more distance between fixtures.



This page intentionally left blank



This product is protected by one or more of the following U.S. patents and their foreign counterparts: 6,016,038, 6,150,774, 6,774,584, 6,781,329, 6,936,978, 6,969,954, 6,975,079, 7,178,941, and 7,186,003. Other patents pending.

DAS-000001-00R02 2008-05-23

Copyright © 2008 Philips Solid-State Lighting Solutions, Inc. All rights reserved.

Chromacore, Chromasic, CK, the CK logo, Color Kinetics, the Color Kinetics logo, ColorBlast, ColorBlaze, ColorBurst, ColorCast, ColorGraze, ColorPlay, ColorReach, DILMand, Direct Light, EssentialWhite, eW, iColor, iColor Cove, IntelliWhite, iW, iPlayer, Light Without Limits, Optibin, Powercore, Sauce, the Sauce logo, and Smartjuice are either registered trademarks or trademarks of Philips Solid-State Lighting Solutions, Inc. in the United States and/or other countries.

All other brand or product names are trademarks or registered trademarks of their respective owners.